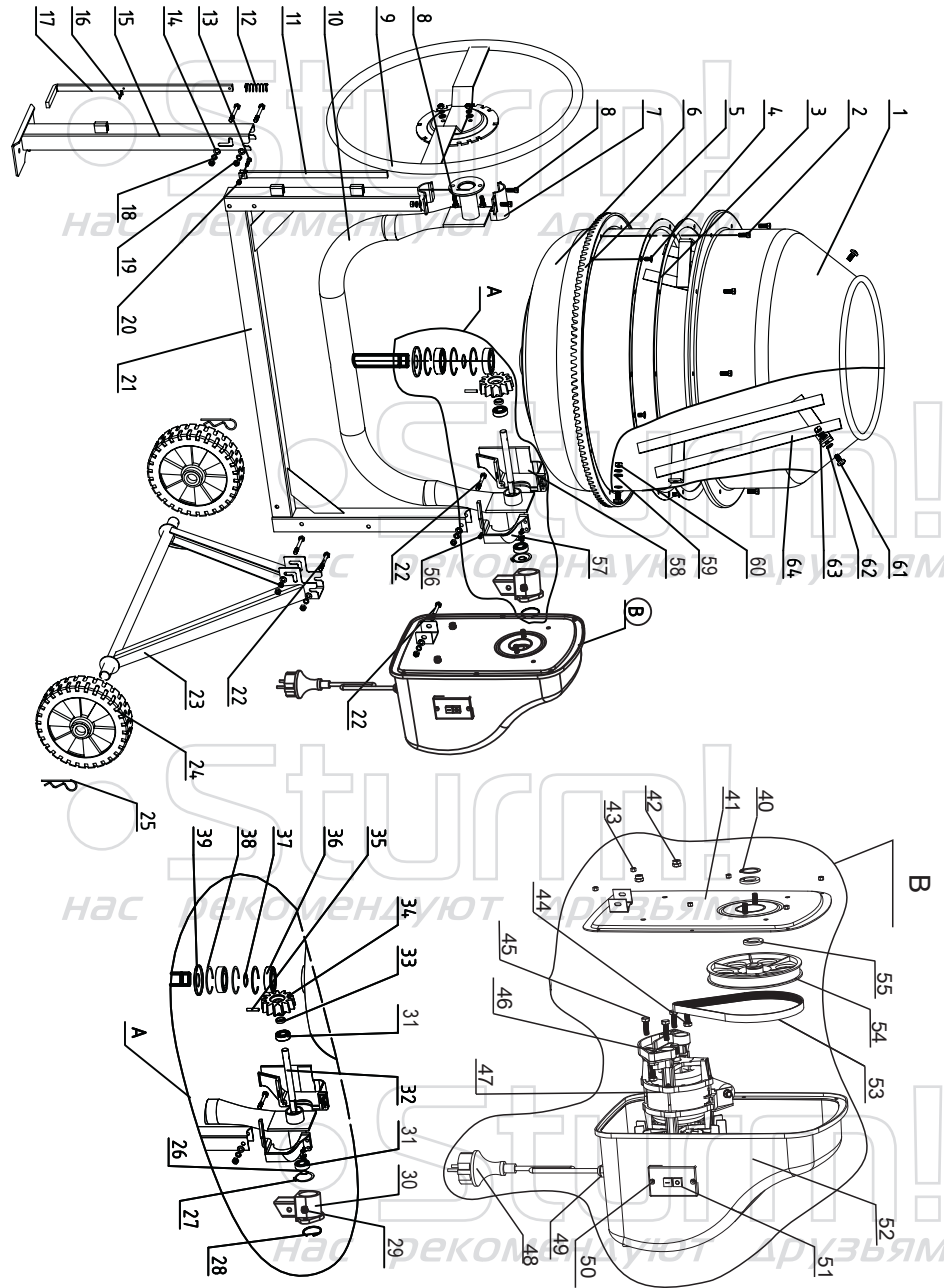


## CM20261CI



NO.	DESCRIPTION	NO.	DESCRIPTION
1	UPPER DRUM	31	BEARING 6003
2	BOLT M8X16	32	DRIVE SHAFT
3	RUBBER LEATHER	33	ADJUSTING WASHER 17*2
4	BOLT M8X14	34	DRIVE PINION
5	COGWHEEL	35	LOCK PIN 6X50
6	LOWER DRUM	36	BEARING 6207
7	BEARING BLOCK-UP	37	CIRCLIP 35
8	BOLT M8X20	38	CIRCLIP 72
	FLAT WASHER 8	39	DUSTPROOF COVER
	SPRING WASHER 8	40	CIRCLIP 30
	NUT M8	41	END PLATE
9	TIPPING WHEEL	42	LOCK NUT M8
10	SUPPORT ARM	43	BOLT M5X12
11	STOPPING BAR-UP		NUT M5
12	SPRING	44	BOLT M8X30
13	BOLT M6X25	45	BOLT M8X25
14	FLAT WASHER 8	46	MOTOR MOUNT BRACKET
15	FRAME	47	MOTOR
16	SPLIT PIN R 3X65	48	POWER CORD
17	STOPPING BAR-DOWN	49	STRAIN RELIEF
18	SPRING WASHER 8	50	BOLT M5X16
19	NUT M8		NUT M5
20	LOCK NUT M8	51	SWITCH
21	FRAME	52	MOTOR COVER
22	BOLT M8X70	53	BELT
	FLAT WASHER 8	54	IDLE PULLEY
	SPRING WASHER 8	55	ADJUSTING WASHER
	NUT M8	56	SELF-TAPPING 4X20
23	AXLE BRACKET	57	GEAR GUARD-SHORT
24	WHEEL	58	GEAR GUARD-LONG
25	SPLIT PIN R 3X75	59	FLAT WASHER 10
26	CIRCLIP 17	60	NUT M10
27	CIRCLIP 42	61	BOLT M10X20
28	CIRCLIP 42	62	LEATHER PAD 10
29	LOCK NUT M8	63	SPRING WASHER 10
30	BEARING BLOCK - RIGHT	64	MIXING BLADE